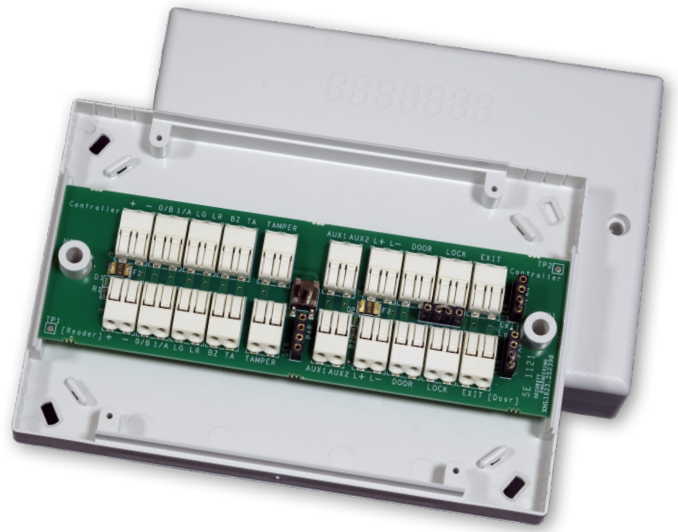


Access Control Junction box SE 1121

Reader, Door & Tamper connection



Functional description

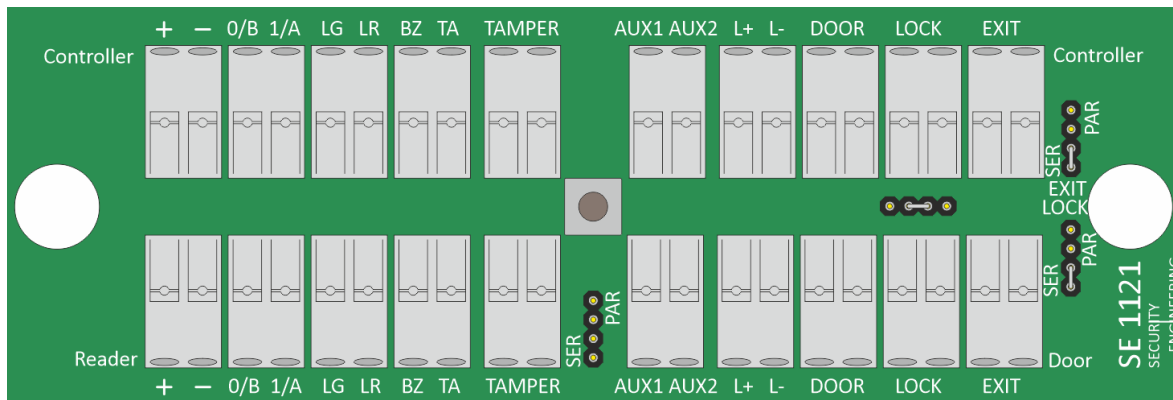
The Access Control Junction box is designed specifically to meet the requirements for all connection in a door environment. The terminals on in junction box are screw-less clamp terminals that allow for very fast and reliable termination of both solid wire and stranded wire. Terminals can be released using a small screwdriver or a pen.

Terminals for card reader power supply and electromechanical lock are fused and equipped with a LEDs to indicate power present.

Terminals are labelled for easy identification of industry standard functions like D+, D- etc.

The junction box is equipped with a tamper switch that detects removal of the lid of the enclosure. Sockets for End-of-Line resistors included on the board.

Terminal labeling



Visual indication

The Access Control Junction Box has 2 green LEDs, one to indicate card reader power supply present and one to indicate lock supply voltage present.

Data

Dimensions	Enclosure 88 x 131 x 28 mm (L x W x H) / PCB 125 x 42 mm
Color	White
Connection	Screw-less terminal
Power input	5-30V DC
Max fuse current	400mA
Commodity code	8471.90.00.00
Country of Origin	DK
ECCN code (US)	N
Export list number (EU)	N